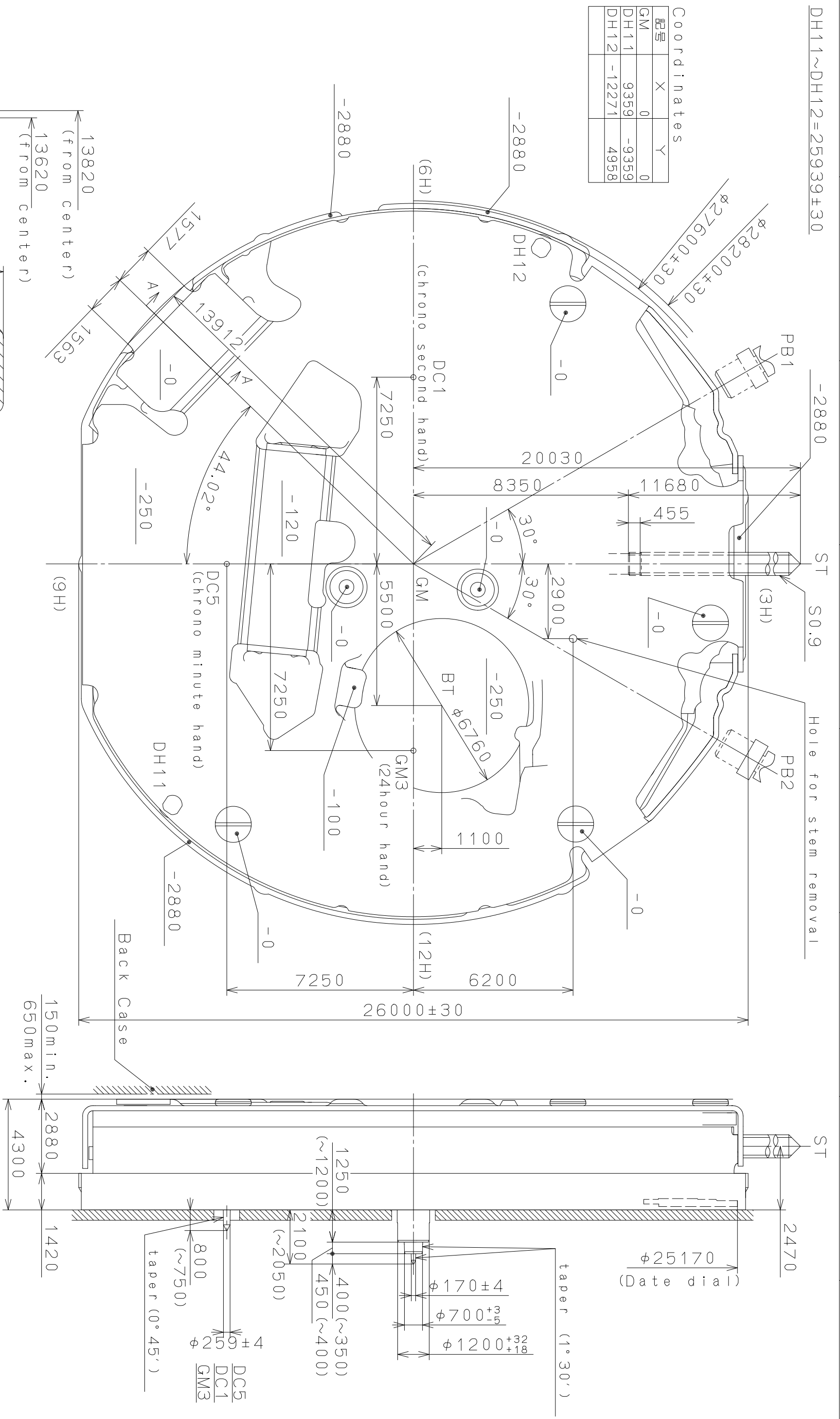


This drawing is provisional and subject to our reconfirmation and/or revision without notice.

Coordinates		
記号	X	Y
GM	0	0
DH11	9359	-9359
DH12	-12271	4958



Section PB1,2

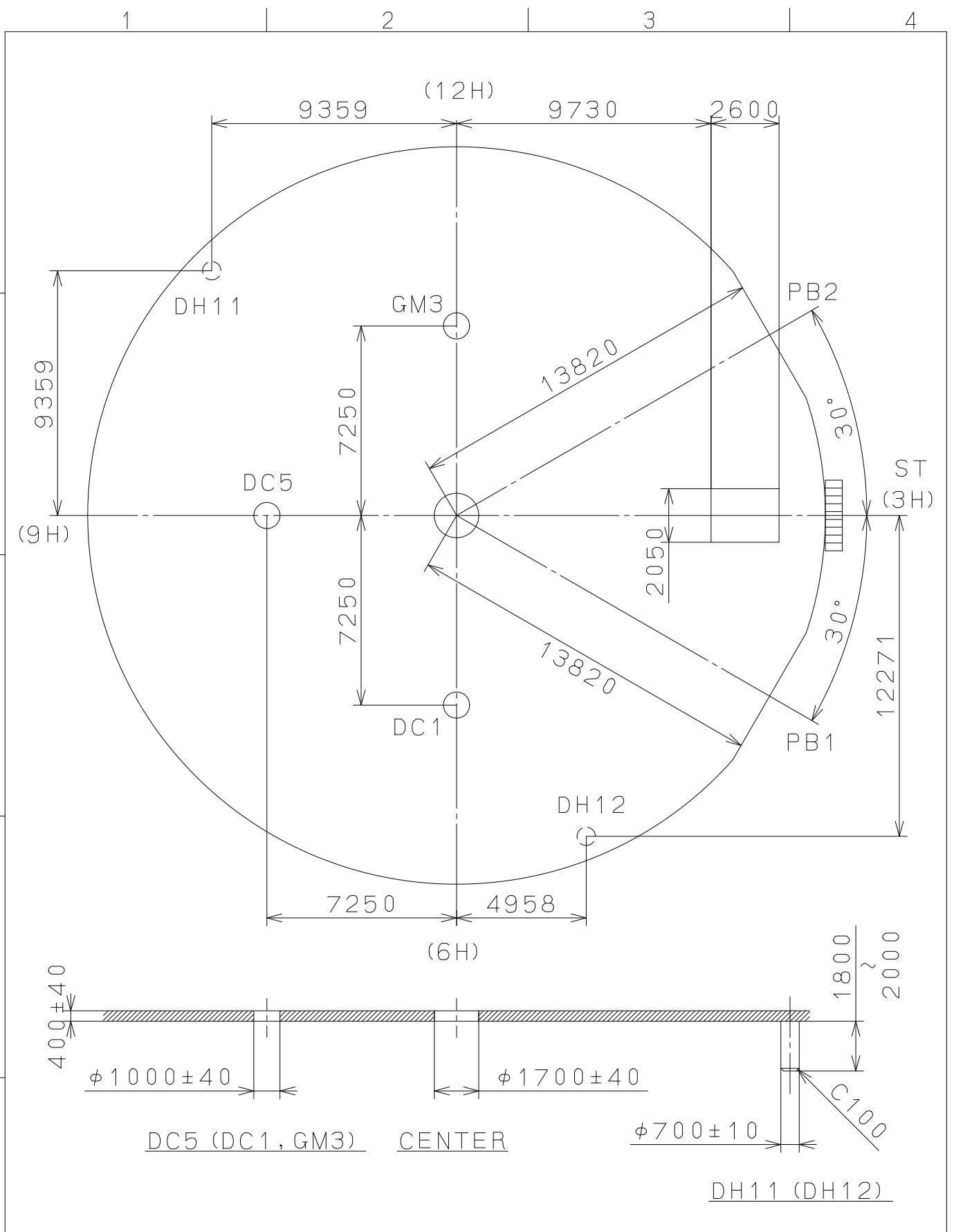
Section A-A

△	Quantity	Unit	Cal. NO.:
△		1/1000 mm	JS15
△		Scale	7 : 1
△		Date	
△		Drawn	
△		Checked	
△		Approved	N. Suzuki
Material		Alterations	
Heat Treatment		Date	
Hardness		Description	
Plating		Appo.	
		Checked	
		Approved	
		Name:	
		Frame for Case	
		Drawing No.: JS15C002	

**MIYOTA**  
CITIZEN WATCH CO., LTD. TOKYO, JAPAN

2009/01/26 (10:04:37)

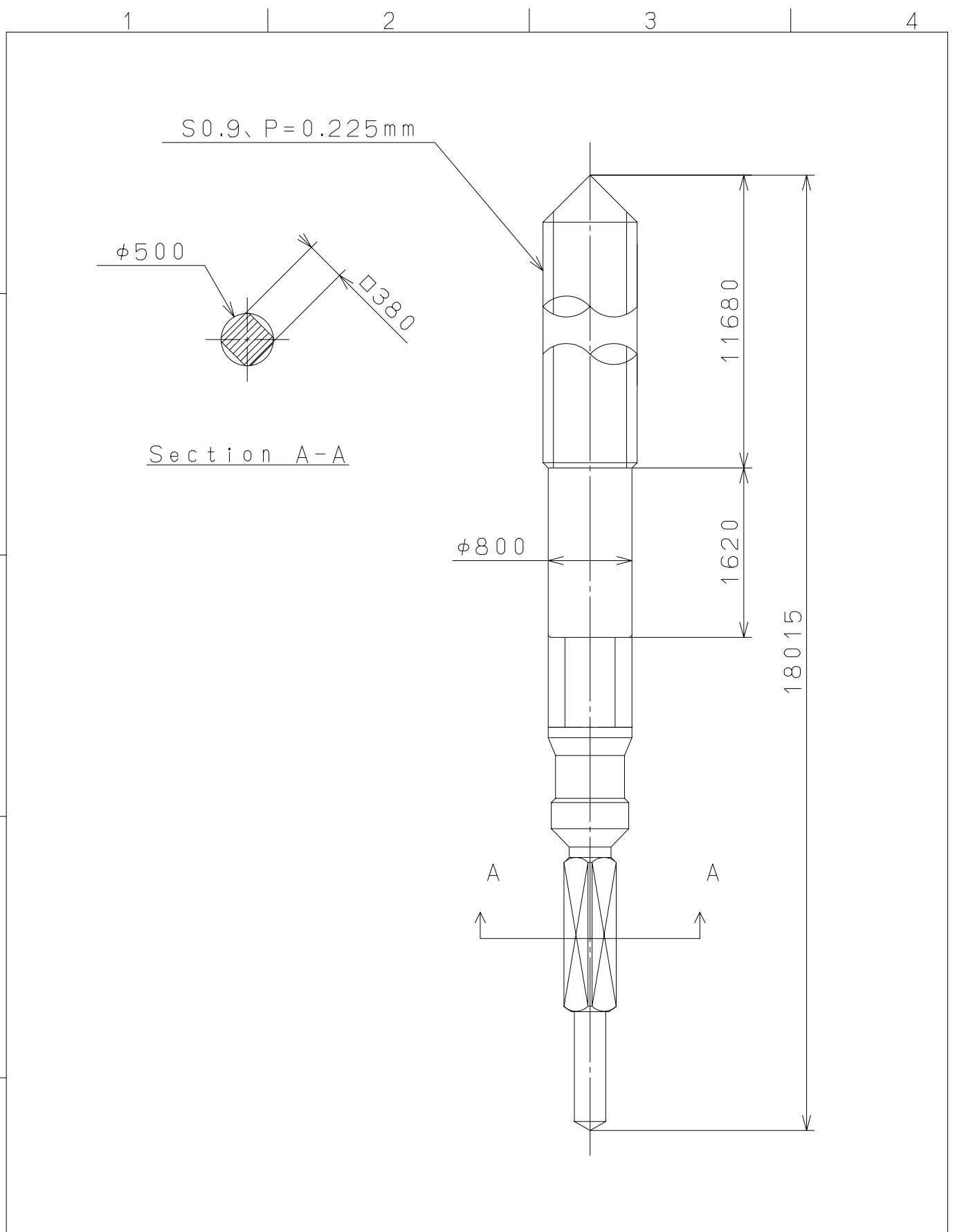
This drawing is provisional and subject to our reconfirmation and/or revision without notice.



△			Quantity		Cal.NO.:
△			Unit	1/1000mm	JS15-00C
△			Scale	5:1	Parts No.:
△			Date		
△			Drawn		
Mark	Date	Description	Appr.	Checked	Name:
		Alterations	Approved	N. Suzuki	Indications for Dial
Material					Drawing No.: JS15D000
Heat Treatment			General Tolerances		<b>MIYOTA</b>
Hardness			Dimensions		
Plating			Angles		
					CITIZEN WATCH CO., LTD. TOKYO, JAPAN

2006/12/25 (07:50:10)

This drawing is provisional and subject to our reconfirmation and/or revision without notice.



△5			Quantity		Cal.NO.:
△4			Unit	1 / 1000 mm	
△3			Scale	20 / 1	Parts No.:
△2			Date		065-505
△1			Drawn		
Mark	Date	Description	Appr.	Checked	Name:
		Alterations		Approved	T.Hiruta
Material					SETTING STEM
Heat Treatment					Drawing No.: 5050S000
Hardness				General Tolerances	<b>MIYOTA</b>
Plating				Dimensions	
				Angles	CITIZEN WATCH CO., LTD. TOKYO, JAPAN